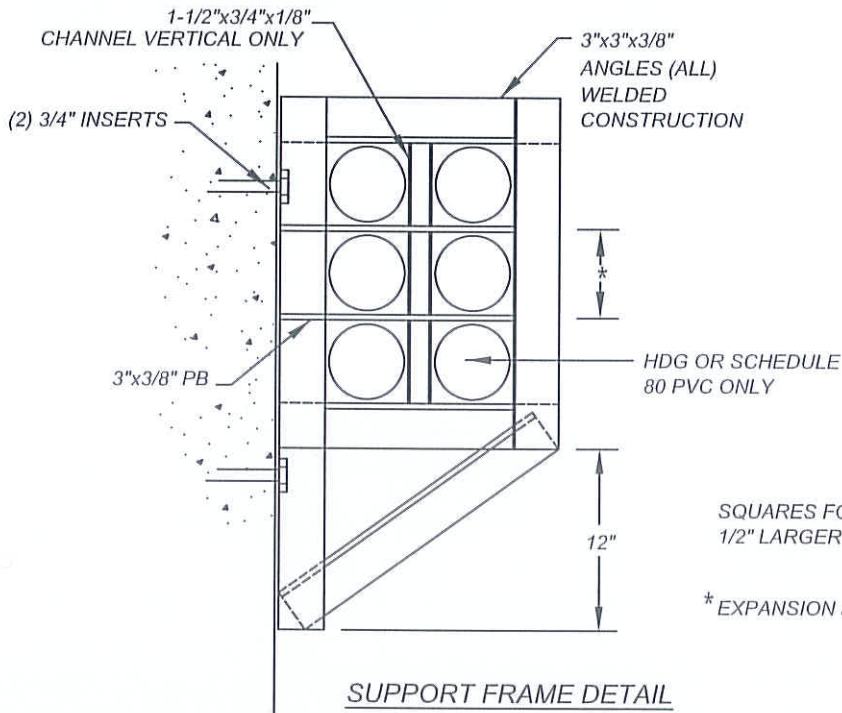
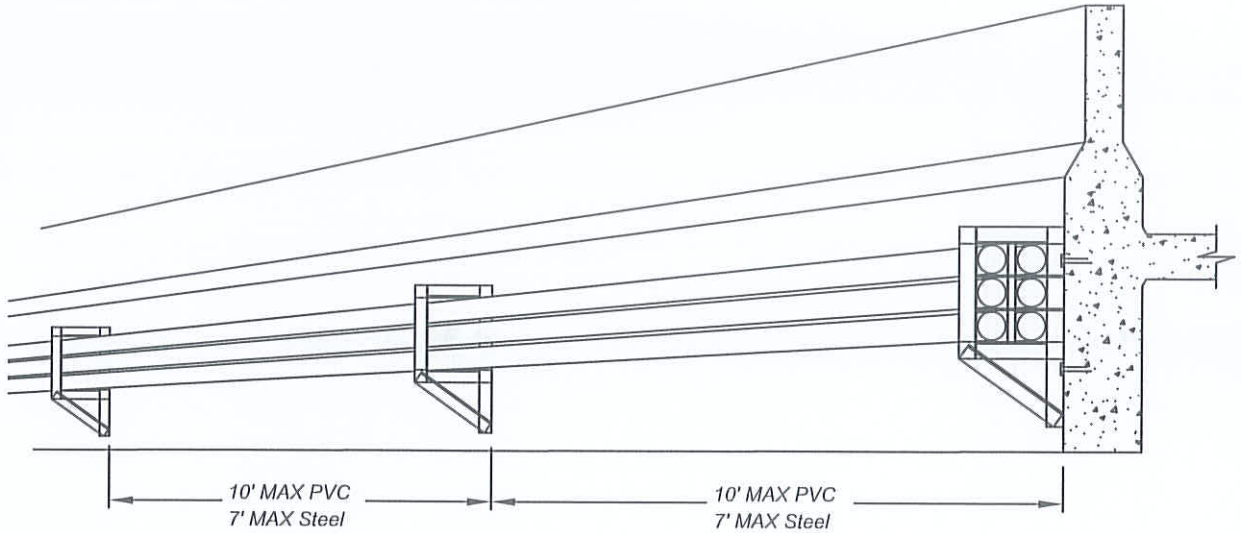


MORENO VALLEY STANDARD NO. MVEU-731-0

SUPPORT FOR CONDUITS ON BRIDGES



NOT TO SCALE

	RECOMMENDED: <i>[Signature]</i> 1-15-14 DIVISION MANAGER / DATE	<b>CITY OF MORENO VALLEY</b> PUBLIC WORKS DEPARTMENT - ELECTRIC UTILITY DIVISION	STANDARD PLAN <b>MVEU-731-0</b>
	APPROVED: <i>[Signature]</i> 1/29/14 PUBLIC WORKS DIRECTOR / DATE CITY ENGINEER		<b>SUPPORT FOR CONDUITS ON BRIDGES</b>