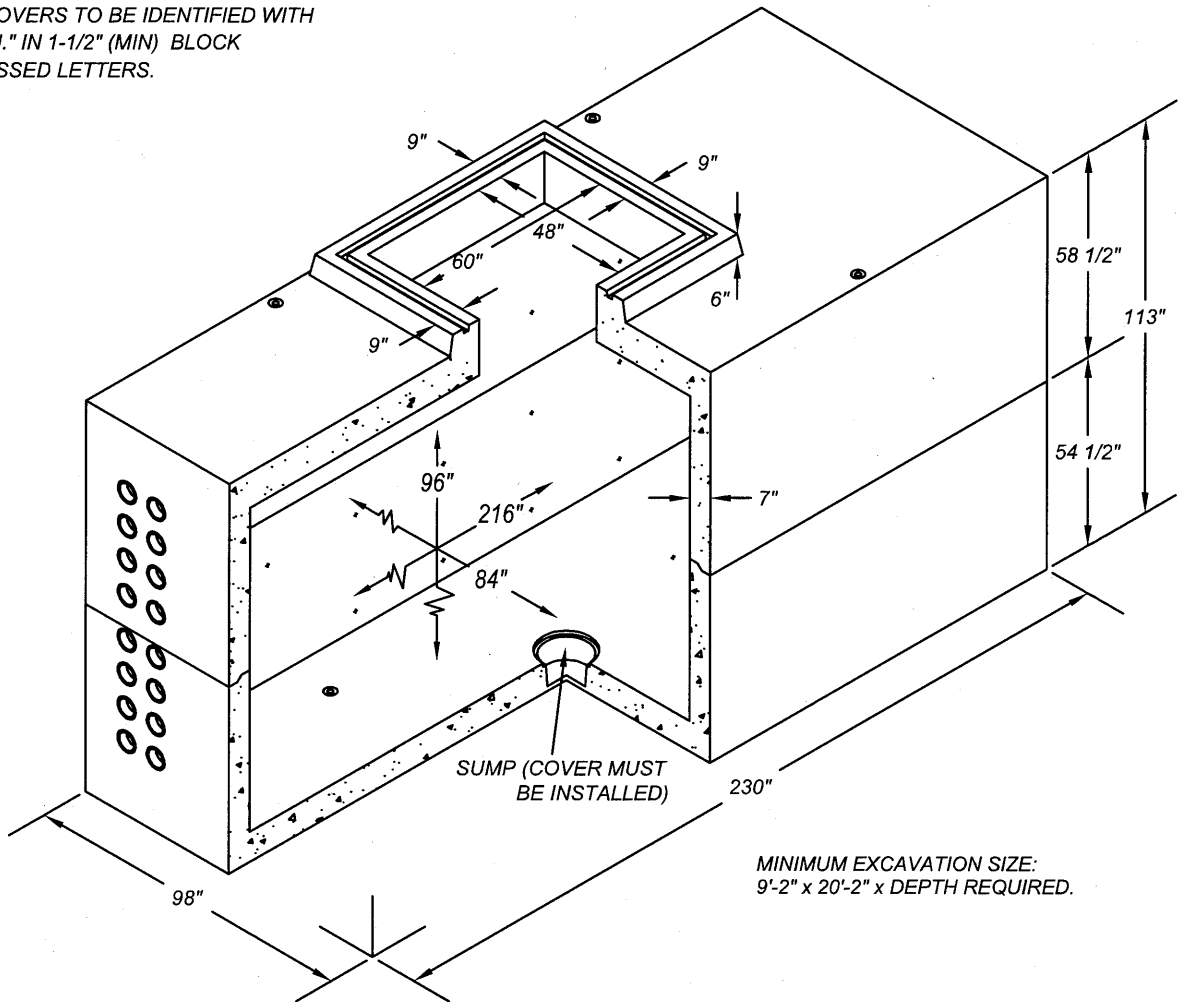


MORENO VALLEY STANDARD No MVEU-730B-0

PRECAST VAULT ENCLOSURE

7' x 18' x 8'

ALL COVERS TO BE IDENTIFIED WITH
"M.V.U." IN 1-1/2" (MIN) BLOCK
RECESSED LETTERS.

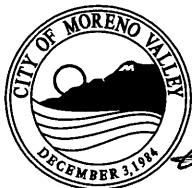


MINIMUM EXCAVATION SIZE:
9'-2" x 20'-2" x DEPTH REQUIRED.

NOTES:

- 1.) VAULT DESIGNED IN ACCORDANCE WITH AASHTO H-20-44 TRAFFIC BRIDGE LOAD USING 5,500 PSI COMPRESSIVE STRENGTH CONCRETE AND 60,000 PSI YIELD STRENGTH ASTM 1-706 STEEL REINFORCEMENT.
- 2.) VAULT TO BE PLACED ON A MIN. 6" BASE OF CRUSHER RUN FOR EASE OF INSTALLATION AND EVEN LOAD DISTRIBUTION.
- 3.) LIMIT OF COVER OVER ROOF SECTION IS 1'-6" TO 4'-0".
- 4.) LIMIT OF EMBEDMENT OF BOTTOM SECTION IS 10'-8" TO 13'-2".
- 5.) ALL WALLS AND CEILINGS TO BE PAINTED WITH WHITE PAINT.
- 6.) STEEL LADDER TO BE SUPPLIED WITH EACH VAULT.
- 7.) ADJUST TO GRADE WITH GRADE RINGS.
- 8.) ENCLOSURE TO BE INSTALLED WITH PRIMARY GROUND ASSEMBLY.
- 9.) ENCLOSURE TO BE INSTALLED WITH CABLE RACK ASSEMBLY.
- 10.) 13" DIA x 14" DIA SUMP x 5" DEEP WITH RECESS, LOCATE AS FOLLOWS: BOTTOM OF SECTION (1) CORE MTD.
- 11.) PRIMARY GROUND TO BE #4 /O BC AND ATTACHED TO ALL GROUND INSERTS.

NOT TO SCALE



RECOMMENDED:

[Signature] 12-27-16
DIVISION MANAGER DATE

APPROVED:

[Signature] 1/20/17
PUBLIC WORKS DIRECTOR / DATE
CITY ENGINEER

CITY OF MORENO VALLEY

PUBLIC WORKS DEPARTMENT - ELECTRIC UTILITY DIVISION

**VAULT
7' x 18' x 8'**

STANDARD PLAN

MVEU-730B-0

SHEET 2 OF 3