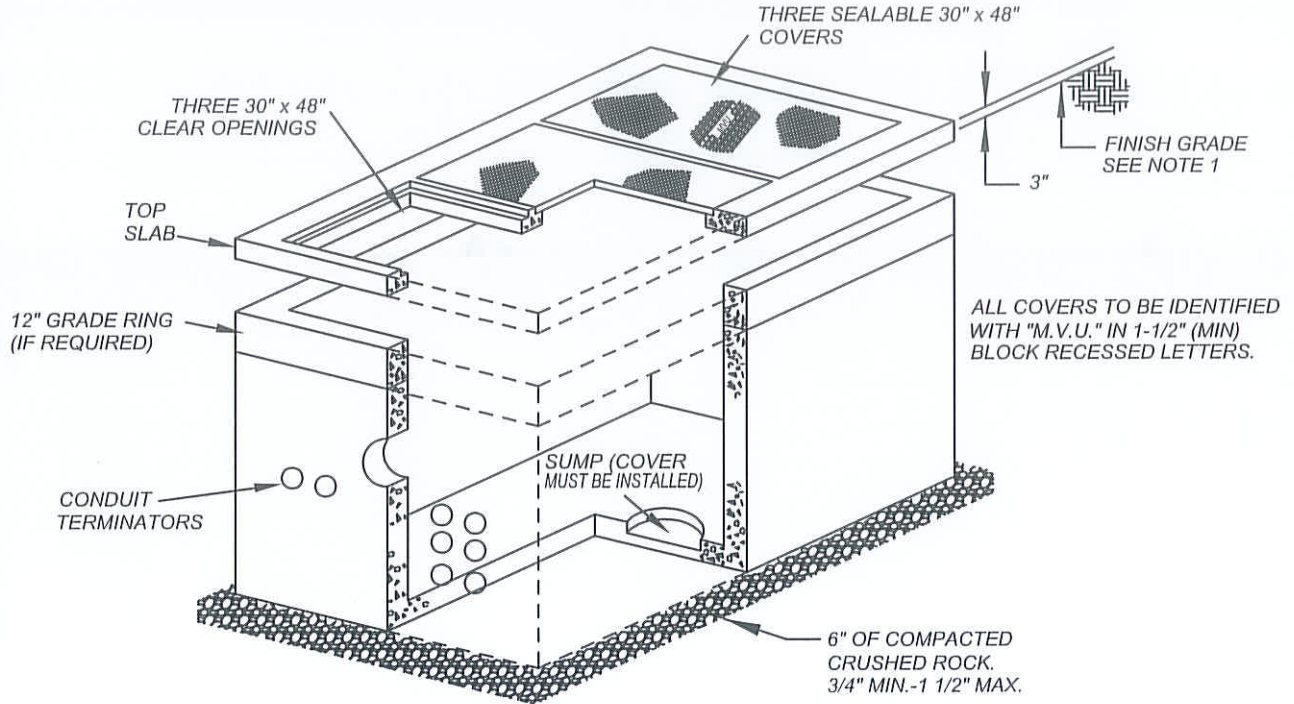


MORENO VALLEY STANDARD NO. MVEU-725-0

**PRECAST SURFACE OPERABLE PARKWAY ENCLOSURE**  
**(5' x 8'-6" x 5')**



EXCAVATION SIZE:  
 CONSULT MANUFACTURERS' GUIDES FOR EXACT EXCAVATION DIMENSION

- NOTES:**
- 1.) TOP SURFACE OF ENCLOSURE SLAB SHALL BE SET 3" ABOVE FINISH GRADE WHEN INSTALLED IN A LANDSCAPED AREA.
  - 2.) ENCLOSURE SHALL BE FURNISHED WITH 1/2" THREADED BRONZE GROUNDING INSERTS.
  - 3.) INSIDE WALLS ARE TO BE PAINTED WHITE.
  - 4.) ENCLOSURE PROVIDED WITH THREE HOT-DIPPED GALVANIZED 30"x 48" STEEL PULL BOX FRAMES. A ONE PIECE EPDM GASKET SHALL BE PERMANENTLY GLUED IN PLACE TO EACH FRAME.
  - 5.) THREE 30"x 48" POLYMER CONCRETE PARKWAY COVERS SHALL BE FLAT AND SMOOTH WITH NO SURFACE POCKETS FOR A MINIMUM OF 2" BACK FROM THE OUTER PERIMETER OF COVER.
  - 6.) ENCLOSURE TO BE INSTALLED WITH PRIMARY GROUND ASSEMBLY.
  - 7.) 13" DIA x 12" DIA SUMP x 4-1/2" DEEP WITH COVER, LOCATE AS FOLLOWS: BOTTOM SECTION (1) CORE MTD.
  - 8.) ENCLOSURE TO BE INSTALLED WITH CABLE RACK ASSEMBLY.
  - 9.) PRIMARY GROUND HALO TO BE #4 /O BC AND ATTACHED TO ALL GROUND INSERTS.

NOT TO SCALE

	RECOMMENDED: <i>[Signature]</i> DIVISION MANAGER      DATE	<h2 style="margin: 0;">CITY OF MORENO VALLEY</h2> <p style="margin: 0;">PUBLIC WORKS DEPARTMENT - ELECTRIC UTILITY DIVISION</p>
	APPROVED: <i>[Signature]</i> PUBLIC WORKS DIRECTOR/      DATE CITY ENGINEER	<h3 style="margin: 0;">SURFACE OPERABLE ENCLOSURE</h3> <p style="margin: 0;"><b>5' x 8'-6" x 5'</b></p>