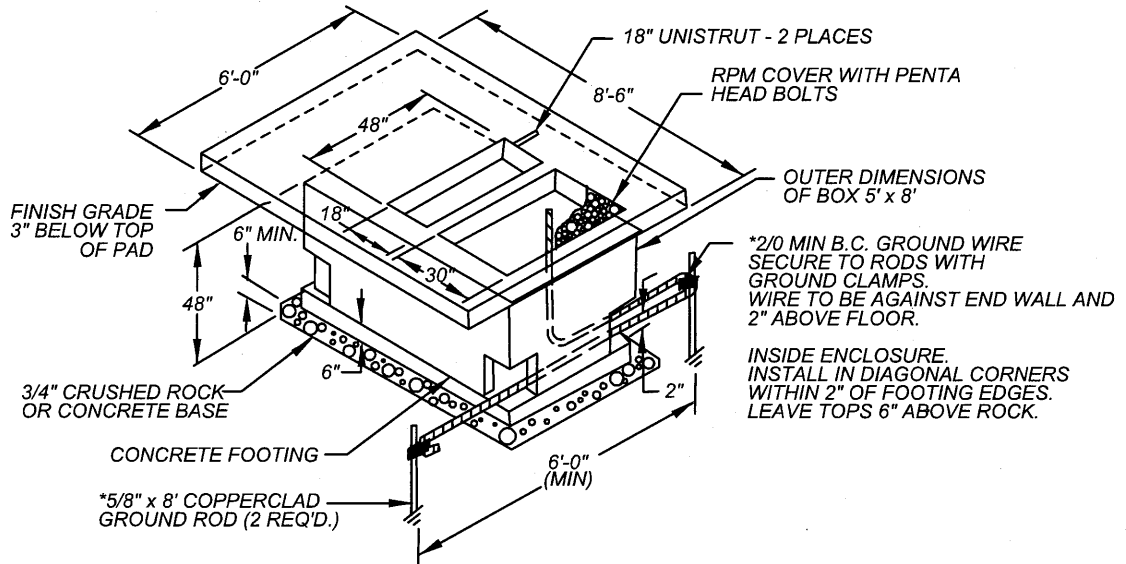


MORENO VALLEY STANDARD No MVEU-714-0

6' x 8'-6" PAD WITH
4'-10" x 7'-10" x 4' BOX FOR
75kVA - 500kVA PAD MOUNTED TRANSFORMERS




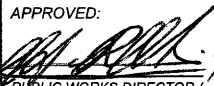
* GROUNDING MATERIALS FURNISHED AND INSTALLED BY CONTRACTOR

NOTES:

1. 8' UNOBSTRUCTED FLAT WORKING CLEARANCE IS REQUIRED AT FRONT OF PAD (MEASURED FROM EDGE OF PAD).
2. 3' UNOBSTRUCTED CLEARANCE IS REQUIRED AT BACK OF PAD (MEASURED FORM EDGE OF PAD).
3. 3' CLEARANCE IS REQUIRED ON BOTH SIDES OF PAD (MEASURED FROM EDGE OF PAD).
4. MASTIC SEALANT REQUIRED AT JOINTS AND GAPS AROUND TRANSFORMER ENCLOSURE.
5. REFER TO STDS MVEU-722 & MVEU-723 FOR ADDITIONAL DETAILS.

NOT TO SCALE



RECOMMENDED:
 12-27-16
 DIVISION MANAGER DATE
 APPROVED:
 1/20/17
 PUBLIC WORKS DIRECTOR / DATE
 CITY ENGINEER

CITY OF MORENO VALLEY

PUBLIC WORKS DEPARTMENT - ELECTRIC UTILITY DIVISION

6' x 8'-6" PAD WITH BOX FOR
75kVA - 500kVA
PAD MOUNTED TRANSFORMERS

STANDARD PLAN
MVEU-714-0
 SHEET 1 OF 1