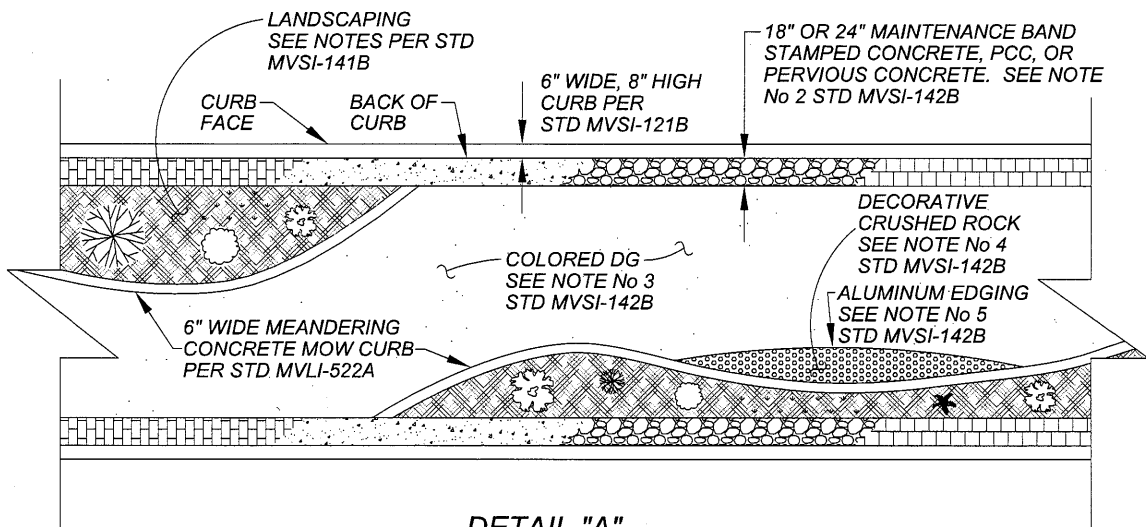
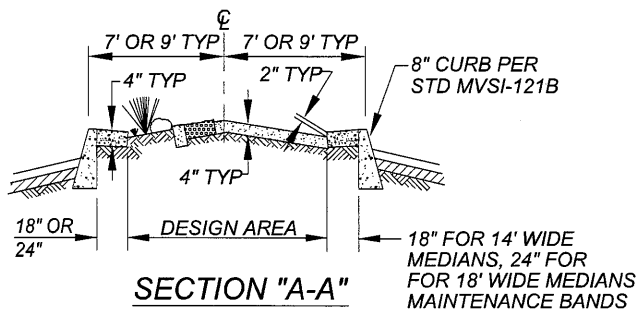


**TYPICAL LAYOUT / MEDIAN LANDSCAPE DESIGN**



**DETAIL "A"**



**SECTION "A-A"**

NOTE: SEE MVSI-141B-0 FOR MEDIAN LANDSCAPE NOTES

NOT TO SCALE

	RECOMMENDED:  DIVISION MANAGER 1-6-17 DATE	<b>CITY OF MORENO VALLEY</b> PUBLIC WORKS DEPARTMENT - CAPITAL PROJECTS DIVISION	
	APPROVED:  PUBLIC WORKS DIRECTOR / DATE CITY ENGINEER	<b>MEDIAN LANDSCAPE MEANDERING DESIGN</b>	