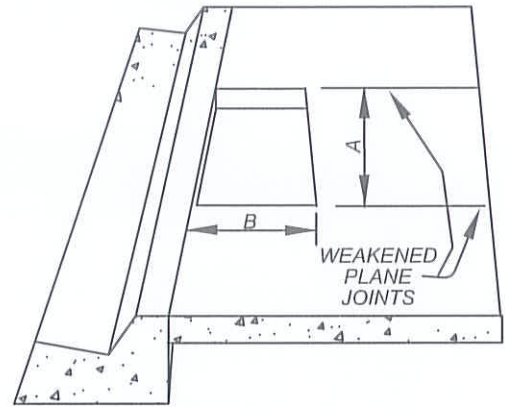


PARKWAYS LESS THAN 8'

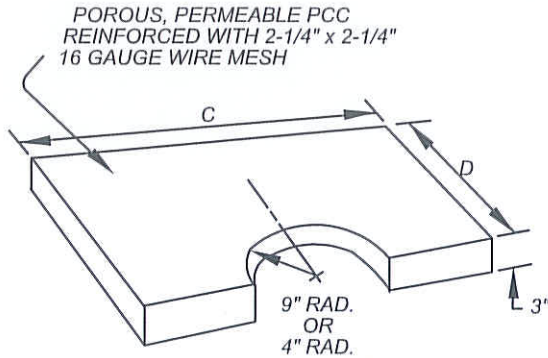
CASE 1: 1'-6" x 3' TREE WELL
 CASE 2: 2'-4" TREE WELL



PARKWAYS 8' OR GREATER
2 COVERS REQUIRED

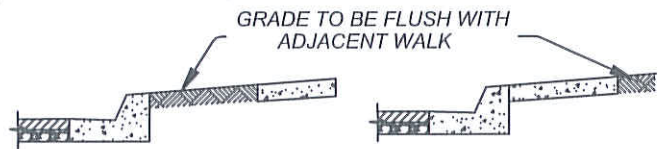
CASE 3: 3'-3" TREE WELL
 CASE 4: 4'-4" TREE WELL

TREE WELLS



POROUS TREE WELL COVER

CASE	A	B	C	D
1	3'-0"	1'-6"	2'-11"	1'-5 1/2"
2	4'-0"	2'-0"	3'-11"	1'-11 1/2"
3	3'-0"	3'-0"	2'-11"	1'-5 1/2"
4	4'-0"	4'-0"	3'-11"	1'-11 1/2"

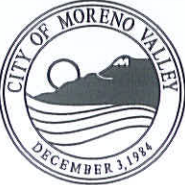




TYPICAL SECTIONS

NOTES:

- 1.) TREE WELLS SHALL BE SPACED AS DIRECTED BY THE CITY ENGINEER OR INDICATED ON THE CONTRACT DOCUMENTS.
- 2.) LOCATION OF TREES WILL BE SUBJECT TO THE FOLLOWING CONDITIONS:
 - A. MIN. 25' FROM CURB RETURNS.
 - B. MIN. 15' FROM LIGHT STANDARDS.
 - C. MIN. 5' FROM FIRE HYDRANTS
 - D. MIN. 5' FROM DRIVEWAYS (PER STD. MVSI-119-0).
- 3.) COVERS ARE TO BE COLORED BUFF USING AN ACCEPTABLE COLORING AGENT.
- 4.) TREE WELLS ARE TO BE BACKFILLED WITH CLEAN DIRT AND FLUSH WITH ADJACENT WALK UNTIL TREES ARE PLANTED.
- 5.) PARKWAYS LESS THAN 8':
 - CASE 1-UNLESS OTHERWISE SPECIFIED.
 - CASE 2-USE WHERE THERE IS AN EXISTING FENCE OR WALL AT THE PROPERTY LINE.
 - CASE 3-UNLESS OTHERWISE SPECIFIED.
 - CASE 4-MAY BE SPECIFIED WITH WALKS 7' OR GREATER.

NOT TO SCALE

	RECOMMENDED:  1.16.14 DIVISION MANAGER DATE	CITY OF MORENO VALLEY FINANCIAL & MANAGEMENT SERVICES DEPARTMENT - SPECIAL DISTRICTS DIVISION	STANDARD PLAN MVSI-118C-0
	APPROVED:  1/29/14 PUBLIC WORKS DIRECTOR / DATE CITY ENGINEER	TREE WELL - TYPE 3	